

## 1.10 Model SR2159 “Easy Tool” Retractor For The Retractable System

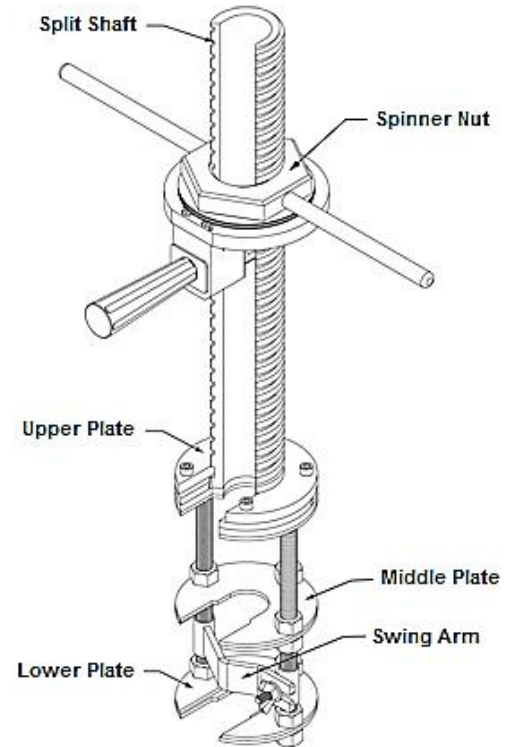
The Easy Tool Retracting System is designed for the safe insertion or retraction of 4000 series systems, including electrical resistance probes (ER), linear polarisation probes (LP), coupon insertion systems (RT), and chemical injection systems (IP).

RCSL Corrosion Monitoring Systems recommends that an Easy Tool is used when working on systems with pressures over 150 psi, to control the retraction of the 4000 series product.

The Easy Tool can insert/retract standard electrical resistance probes and coupon insertion systems up to 42".

With a weight of under 15 pounds and an overall length of 44", the Easy Tool is one of the lightest and shortest retracting tools available on the market.

The Easy Tool can be used with most standard packing glands.



Ordering Product Code Generation	
<b>SR2159ER24</b>	Insertion length of 24"
<b>SR2159ER36</b>	Insertion length of 36" (standard size)



SR2159 Easy Tool & Carry Case