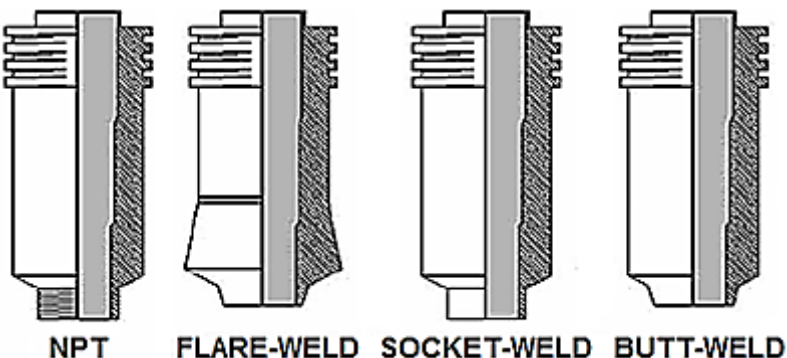
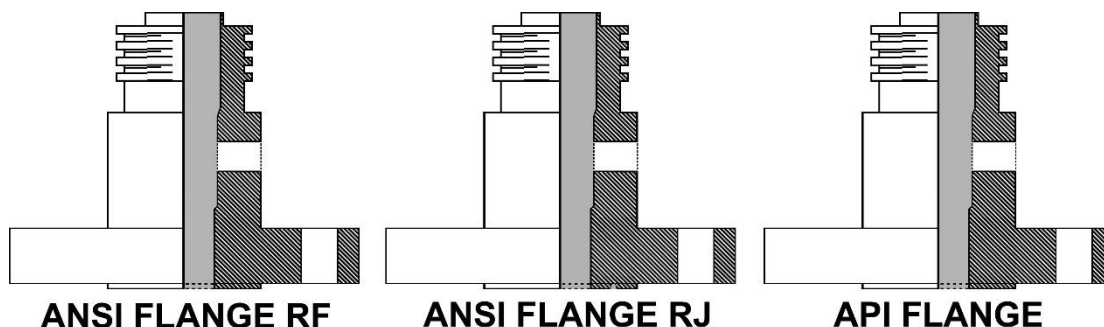


1.3 Triseal® Two Inch System Retrievable Tee Type Access Fittings



0.25 inch Tee		0.5 inch Tee		0.75 inch Tee		1 inch Tee	
Height (ins)	Weight (lbs)	Height (ins)	Weight (lbs)	Height (ins)	Weight (lbs)	Height (ins)	Weight (lbs)
5.25	4.5	6.25	5.75	6.25	6.5	7.25	7



		0.25 inch Tee		0.5 inch Tee		0.75 inch Tee		1 inch Tee	
Model	Flange Size	Height (inch)	Weight (lbs)	Height (inch)	Weight (lbs)	Height (inch)	Weight (lbs)	Height (inch)	Weight (lbs)
ANSI Flange RF	150	5.25	9.75	7.25	10	7.25	10	7.25	10.5
	300	5.25	11.5	7.25	11.75	7.25	12	7.25	12
	4/600	6.25	12.75	7.25	13	7.25	13	7.25	13
	9/1500	6.25	25.75	8.25	26	8.25	26.25	8.25	26.5
	2500	6.25	40.2	8.25	40.5	8.25	40.4	8.25	40.75
ANSI Flange RJ	150	5.25	9.75	7.25	9.75	7.25	13	7.25	13
	300	5.25	11.5	7.25	10	7.25	17	7.25	17
	4/600	6.25	12.75	7.25	11.75	7.25	18	7.25	18
	9/1500	6.25	25.75	8.25	25.75	8.25	38	8.25	38
	2500	6.25	40.1	8.25	40.1	8.25	45.5	8.25	45.5
API Flange	2000#	6.25	15.75	7.25	18	7.25	18	7.25	18
	3/5000#	6.25	31	8.25	38	8.25	38	8.25	38
	10000#	6.25	40.5	8.25	45.5	8.25	45.5	8.25	45.5