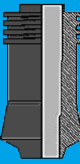
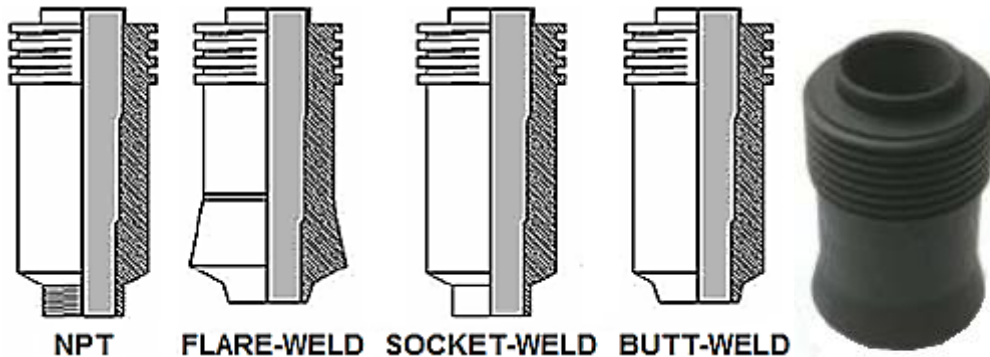


1.2

Triseal® Two Inch System Retrievable Non-Tee Type Access Fittings

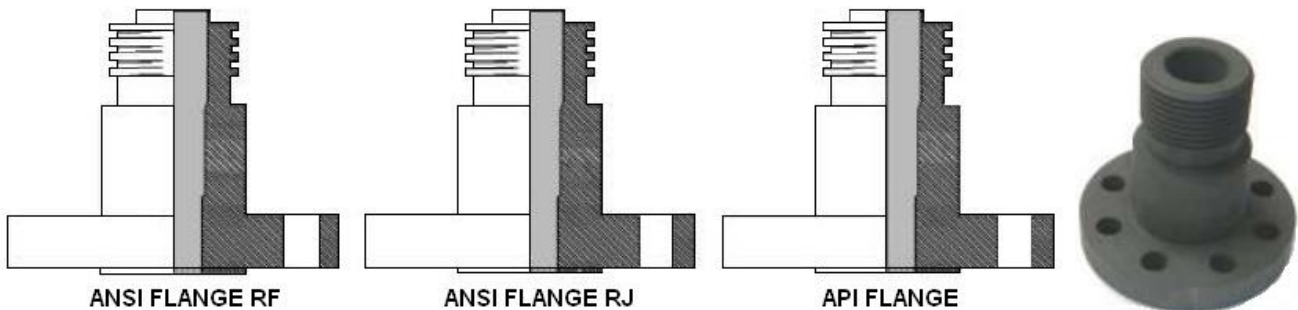


Direct Type Access Fittings



Model	Height	Weight
Flare-weld	13.335cm (5.25")	2.5 Kg (5.5 lb.)
Butt-weld	13.335cm (5.25")	2.5 Kg (5.5 lb.)
Socket-weld	15.875cm (6.25")	2.05 Kg (4.5 lb.)
NPT	15.875cm (6.25")	2.05 Kg (4.5 lb.)

Flanged Type Access Fittings



Flange Size	Height	Weight
150	13.335cm (5.25")	4.76 Kg (10.5 lb.)
300	13.335cm (5.25")	5.22 Kg (11.5 lb.)
4/600	15.875cm (6.25")	6.92 Kg (15.25 lb.)
9/1500	15.875cm (6.25")	13.95 Kg (30.75 lb.)
2.500	15.875cm (6.25")	18.15 Kg (40 lb.)

Temperature Rating: -28.9°C (-20°F) to +176°C (+350°F.)

Pressure Rating: 6000psi (410 bar) or as Flange Size